

Power Splitter/Combiner

3 Way-0° 50Ω 1 to 200 MHz OPD1-200-3-S

Features

- low insertion, 0.35 dB typ.
- very high isolation, 48 dB typ.
- excellent amplitude unbalance, 0.1 dB typ.
- excellent phase unbalance, 1 deg. typ.
- excellent VSWR, 1.1:1 typ.
- rugged shielded case

Applications

- VHF
- instrumentation
- radio communication system

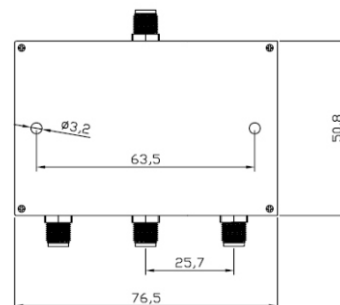
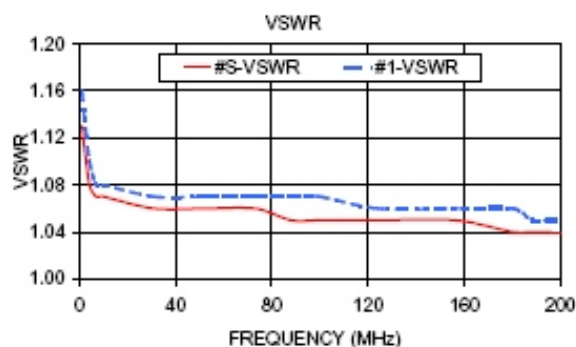
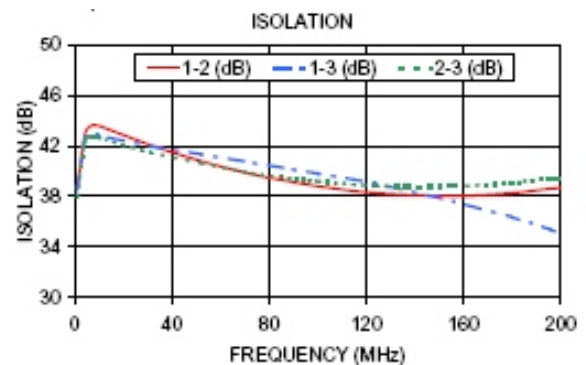
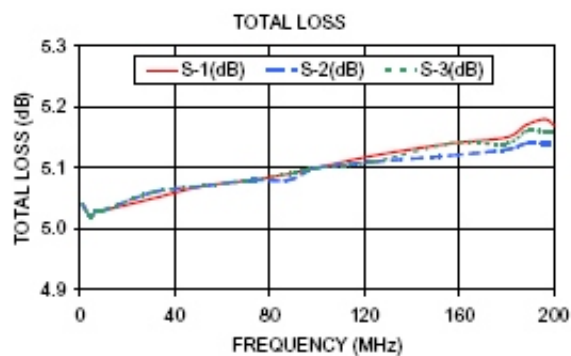
Maximum Ratings

Operating Temperature	-40° C to 85° C
Storage Temperature	-55° C to 100° C
Power Input (as a splitter)	1W max.
Internal Dissipation	0.375W max.

Permanent damage may occur if any of these limits are exceeded.



Electrical Description			
1	Frequency	1-200MHz	
2	Insertion Loss Max.	0.25-0.6dB	ABOVE 4.8 dB
3	Isolation Min.	30dB	48 dB Max.
4	Phase Unbalance (Dgree)Max.	5.0	
5	Amplitude Unbalance Max. .	0.2dB	
6	VSWR Max.	1.17:1	
7	Power handing Max. (watt)	10watt	
8	Connectors	SMA/N/BNC	
9	Impedance	50 Ohm	



Outline Drawing



OCEANMICROWAVE

Tel: +86-10-60290088 Fax: +86-10-60290088-601

Web: <http://www.oceanmicrowave.com> Email: sales@oceanmicrowave.com

Power Splitter/Combiner

3 Way-0° 50Ω 1 to 1000 MHz OPD1-1000-3-S

Features

- very wideband, 1 to 1000 MHz
- low insertion loss, 0.7 dB typ.
- rugged shielded case

Applications

- cellular
- instrumentation
- communication system

Maximum Ratings

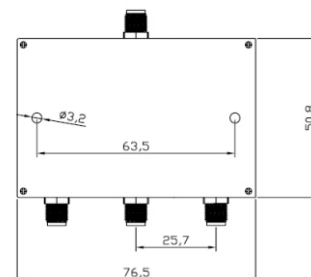
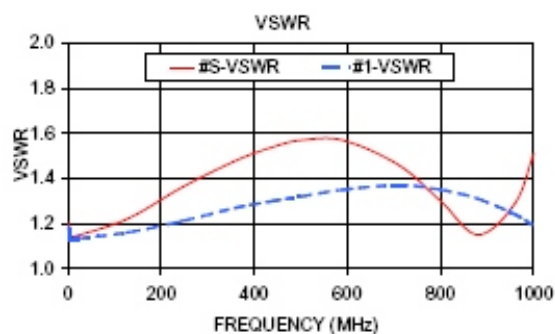
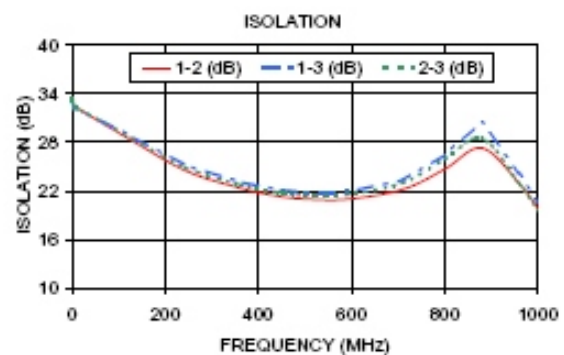
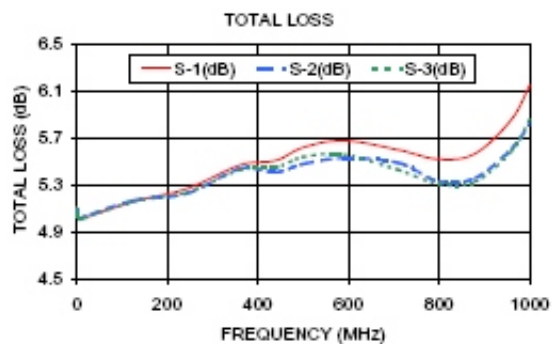
Operating Temperature	-40° C to 85° C
Storage Temperature	-55° C to 100° C
Power Input (as a splitter)	1W max.
Internal Dissipation	0.375W max.

Permanent damage may occur if any of these limits are exceeded.



Electrical Description

1	Frequency	1-1000MHz	
2	Insertion Loss Max.	0.2-2.0dB	ABOVE 4.8 dB
3	Isolation Min.	17dB	35 dB Max.
4	Phase Unbalance (Degree) Max.	6.0	
5	Amplitude Unbalance Max..	0.9dB	
6	VSWR Max.	1.57:1	
7	Power handling Max. (watt)	10watt	
8	Connectors	SMA/N/BNC	
9	Impedance	50 Ohm	



Outline Drawing

Power Splitter/Combiner

3 Way-0° 50Ω 500 to 1000 MHz OPD500-1000-3-S

Features

- wideband, 500 to 1000 Mhz
- up to 10W power input as splitter
- low insertion loss, 0.3 dB typ.
- rugged, shielded case

Applications

- UHF
- cellular
- communication system
- instrumentation

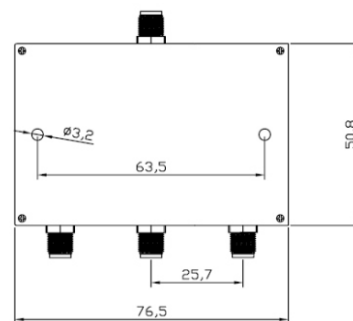
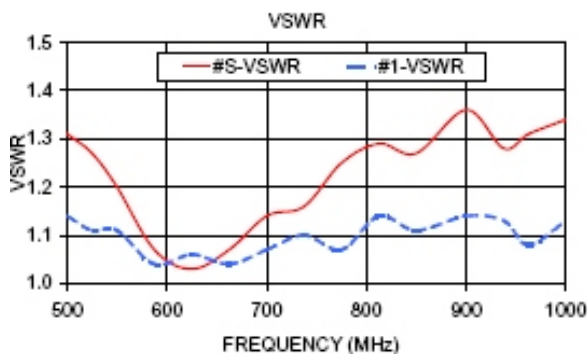
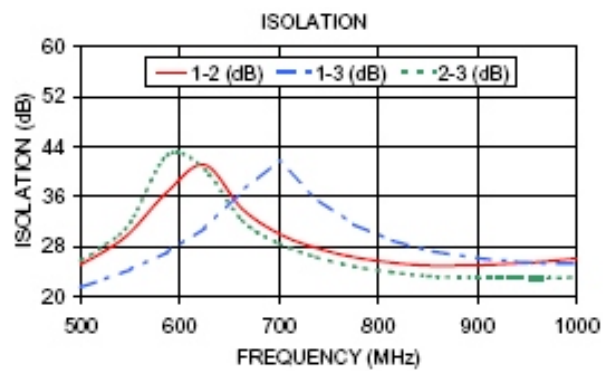
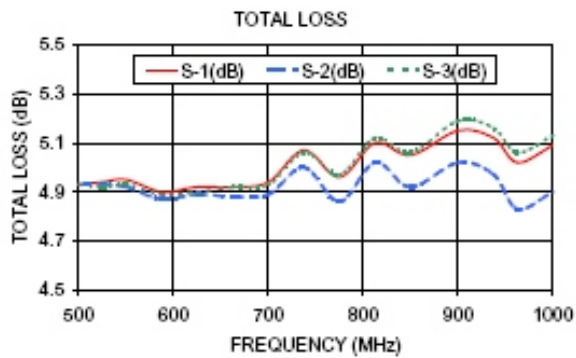
Maximum Ratings

Operating Temperature	-40° C to 85° C
Storage Temperature	-55° C to 100° C
Power Input (as a splitter)	10W max.
Internal Dissipation	0.375W max.

Permanent damage may occur if any of these limits are exceeded.



Electrical Description			
1	Frequency	500-1000MHz	
2	Insertion Loss Max.	0.3-0.6dB	ABOVE 4.8 dB
3	Isolation Min.	14dB	20 dB Max.
4	Phase Unbalance (Degree) Max.	-	
5	Amplitude Unbalance Max..	0.4dB	
6	VSWR Max.	1.36:1	
7	Power handing Max. (watt)	10watt	
8	Connectors	SMA/N	
9	Impedance	50 Ohm	



Outline Drawing



OCEANMICROWAVE

Tel: +86-10-60290088 Fax: +86-10-60290088-601

Web: <http://www.oceanmicrowave.com> Email: sales@oceanmicrowave.com

Power Splitter/Combiner

3 Way-0° 50Ω 700to 2400 MHz OPD700-2400-3-S

Features

- wideband, 700 to 2400 MHz
- good isolation, 25 dB typ.
- excellent input VSWR, 1.3 typ.
- excellent output VSWR, 1.1 typ

Applications

- cellular
- PCN
- instrumentation

Maximum Ratings

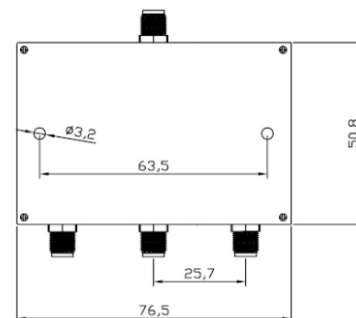
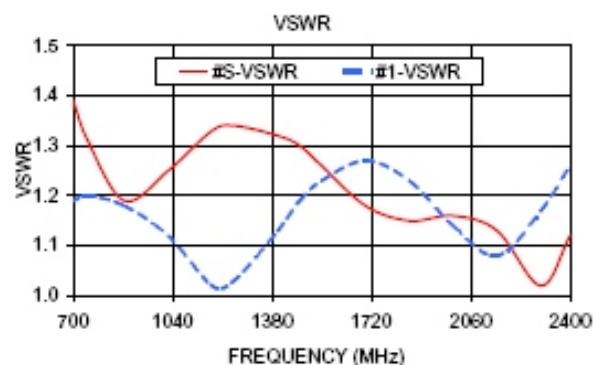
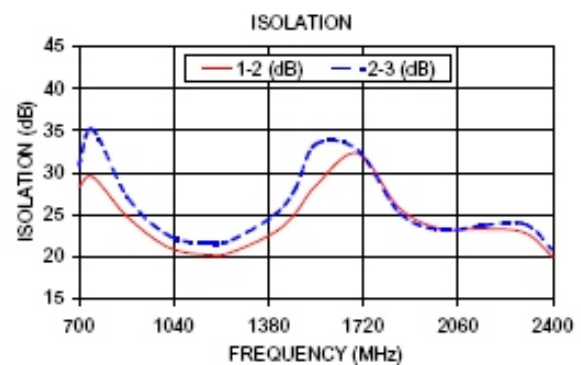
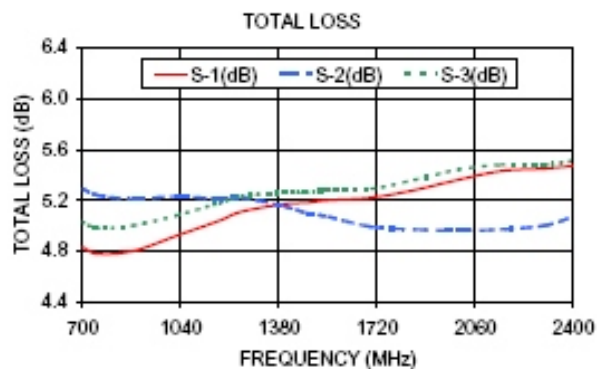
Operating Temperature	-40° C to 85° C
Storage Temperature	-55° C to 100° C
Power Input (as a splitter)	1W max.
Internal Dissipation	0.250W max.

Permanent damage may occur if any of these limits are exceeded.



Electrical Description

1	Frequency	700-2400MHz	
2	Insertion Loss Max.	0.5-1.2dB	ABOVE 4.8 dB
3	Isolation Min.	17dB	25 dB Max.
4	Phase Unbalance (Dgree) Max.	8.0	
5	Amplitude Unbalance Max..	0.9dB	
6	VSWR Max.	1.39:1	
7	Power handing Max. (watt)	10watt	
8	Connectors	SMA	
9	Impedance	50 Ohm	



Outline Drawing

Power Splitter/Combiner

3 Way-0° 50Ω 1000to 2000 MHz OPD1000-2000-3-S

Features

- low insertion loss, 0.3 dB typ.
- good isolation, 20 dB typ.
- up to 10W power input as splitter
- rugged, shielded case

Applications

- GPS
- PCS/DCS
- communication system
- instrumentation

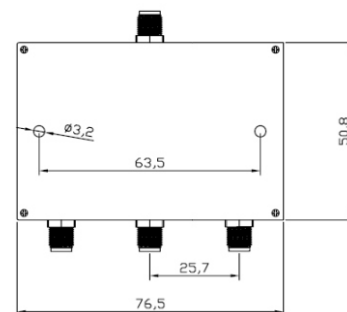
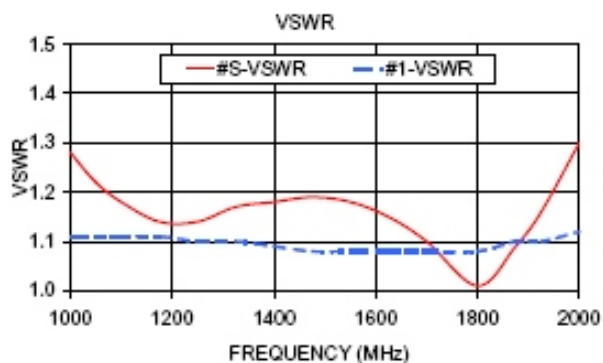
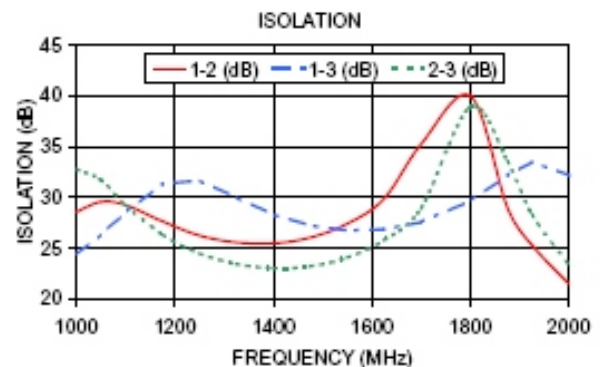
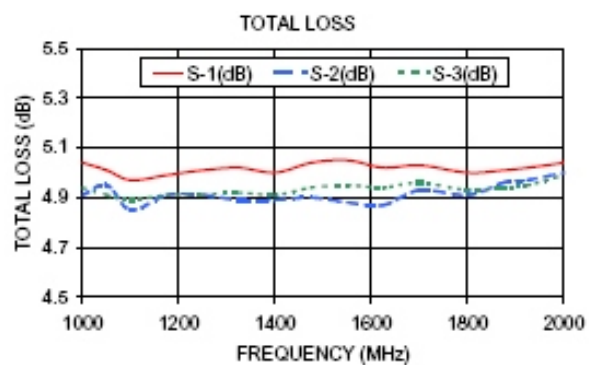
Maximum Ratings

Operating Temperature	-40° C to 85° C
Storage Temperature	-55° C to 100° C
Power Input (as a splitter)	10W max.
Internal Dissipation	0.375W max.

Permanent damage may occur if any of these limits are exceeded.



Electrical Description			
1	Frequency	1000-2000MHz	
2	Insertion Loss Max.	0.3-0.6dB	ABOVE 4.8 dB
3	Isolation Min.	15dB	20 dB Max.
4	Phase Unbalance (Degree) Max.	-	
5	Amplitude Unbalance Max. .	0.3dB	
6	VSWR Max.	1.30:1	
7	Power handing Max. (watt)	10watt	
8	Connectors	SMA/N	
9	Impedance	50 Ohm	



Outline Drawing



OCEANMICROWAVE

Tel: +86-10-60290088 Fax: +86-10-60290088-601

Web: <http://www.oceanmicrowave.com> Email: sales@oceanmicrowave.com