

# Power Splitter/Combiner

3 Way-0° 50Ω 1000to 2000 MHz OPD1000-2000-3-S

### Features

- low insertion loss, 0.3 dB typ.
- good isolation, 20 dB typ.
- up to 10W power input as splitter
- rugged, shielded case

### Applications

- GPS
- PCS/DCS
- communication system
- instrumentation

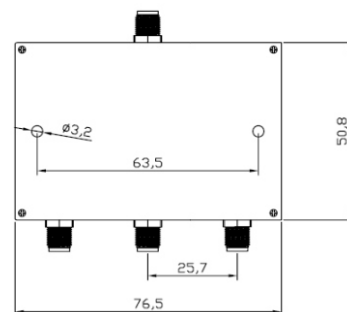
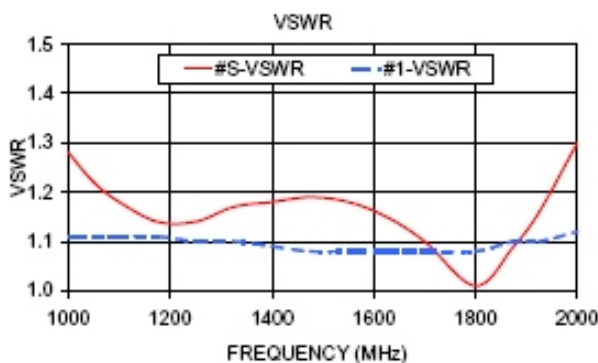
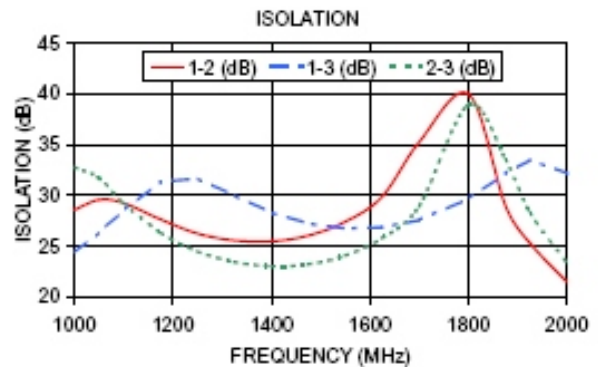
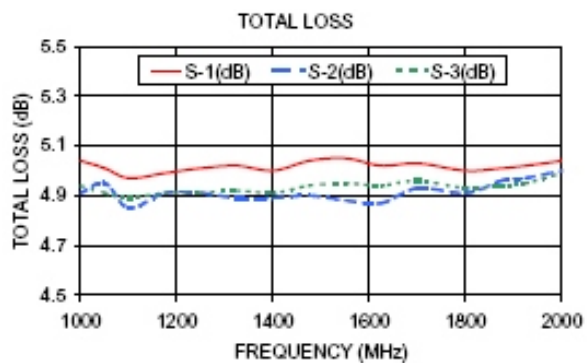
### Maximum Ratings

Operating Temperature	-40° C to 85° C
Storage Temperature	-55° C to 100° C
Power Input (as a splitter)	10W max.
Internal Dissipation	0.375W max.

Permanent damage may occur if any of these limits are exceeded.



Electrical Description			
1	Frequency	1000-2000MHz	
2	Insertion Loss Max.	0.3-0.6dB	ABOVE 4.8 dB
3	Isolation Min.	15dB	20 dB Max.
4	Phase Unbalance (Degree) Max.	-	
5	Amplitude Unbalance Max. .	0.3dB	
6	VSWR Max.	1.30:1	
7	Power handing Max. (watt)	10watt	
8	Connectors	SMA/N	
9	Impedance	50 Ohm	



Outline Drawing



OCEANMICROWAVE

Tel: +86-10-60290088 Fax: +86-10-60290088-601

Web: <http://www.oceanmicrowave.com> Email: [sales@oceanmicrowave.com](mailto:sales@oceanmicrowave.com)