

Power Splitter/Combiner

2 Way-0° 50Ω 500 to 1000 Mhz

OPD500-1000-2-S

Features

- wideband, 500 to 1000 MHz
- low insertion loss, 0.25 dB typ.
- good isolation, 25 dB typ.
- up to 10W power input as splitter
- excellent amplitude unbalance, 0.1 dB typ.
- excellent phase unbalance, 0.2 deg. typ.
- excellent VSWR, 1.1:1 typ.

Applications

- UHF
- cellular
- communications systems
- instrumentation
- communications systems
- receivers & transmitters
- instrumentation

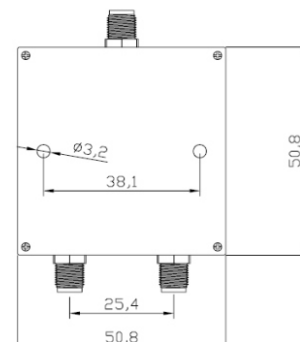
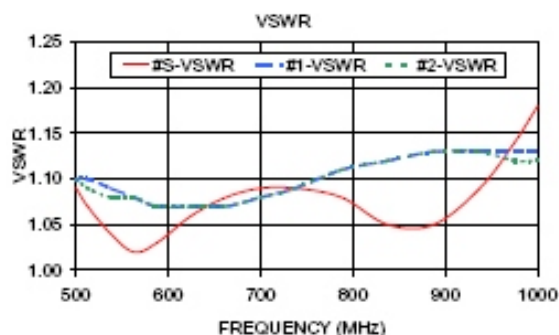
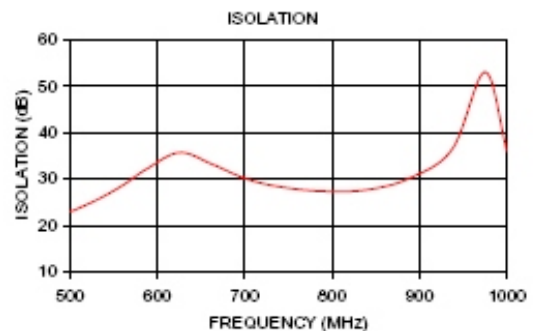
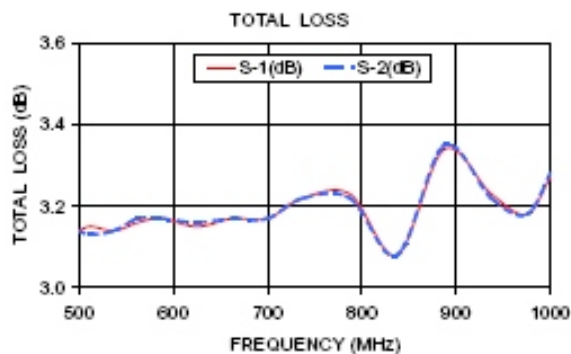
Maximum Ratings

Operating Temperature	-40° C to 85° C
Storage Temperature	-55° C to 100° C
Power Input (as a splitter)	10W max.
Internal Dissipation	0.05W max.

Permanent damage may occur if any of these limits are exceeded.



Electrical Description			
1	Frequency	500-1000MHz	
2	Insertion Loss Max.	0.6dB	ABOVE 3 dB
3	Isolation Min.	19dB	
4	Phase Unbalance (Degree) Max.	2.0°	
5	Amplitude Unbalance Max. .	0.2dB	
6	VSWR Max.	1.18:1	
7	Power handing Max. (watt)	10watt	
8	Connectors	SMA/BNC/N	
9	Impedance	50 Ohm	



Outline Drawing



OCEANMICROWAVE

Tel: +86-10-60290088 Fax: +86-10-60290088-601

Web: <http://www.oceanmicrowave.com> Email: sales@oceanmicrowave.com